

■ Function of IC Terminals

IC801 (M37470M2242S)

Pin No.	Terminal Name	I/O	Function
1	P17/SRDY	O	Relay (Power SW) drive and LED (STANDBY) drive signal output.
2	P16/CLK	O	Remote control signal output.
3	P15/SOUT	O	LED (PHONO) drive signal output.
4	P14/SIN	O	LED (TUNER) drive signal output.
5	P13/TI	O	LED (CD) drive signal output.
6	P12/TO	O	LED (AUX) drive signal output.
7	P11	O	LED (TAPE2/DCC) drive signal output.
8	P10	O	LED (TAPE1 MONITOR) drive signal output.
9	P23/IN3	O	Motor (volume control) drive signal output.
10	P22/IN2		
11	P21/IN1	I	Input select switch signal input.
12	P20/IN0	I	Switch (POWER, SPEAKER A, SPEAKER B) signal input.
13	VREF	I	Reference voltage input.
14	XIN	I	Oscillator signal I/O terminal. (4 MHz)
15	XOUT	O	
16	VSS	—	GND terminal.
17	VCC	I	Power supply (+5V).

Pin No.	Terminal Name	I/O	Function
18	RESET	I	System reset signal input.
19	P30/INTO	I	Back-up detect signal input.
20	P31/INTI	I	Remote control receive signal input.
21	P32/CNRO	—	No used. Connected to GND.
22	P33/CNRI	—	No used. Connected to GND.
23	P40	O	Strobe signal input for Input Selector IC (IC401).
24	P41	O	Clock signal input for Input Selector IC (IC401).
25	P00	O	Data signal input for Input Selector IC (IC401).
26	P01	O	SPEAKER A select signal output.
27	P02		SPEAKER B select signal output.
28	P03	O	LED (SPEAKER A) drive signal output.
29	P04	O	LED (SPEAKER B) drive signal output.
30	P05	—	No used. Connected to GND.
31	P06	—	No used. Connected to GND.
32	P07	O	Audio muting control signal output.

■ Replacement Parts List

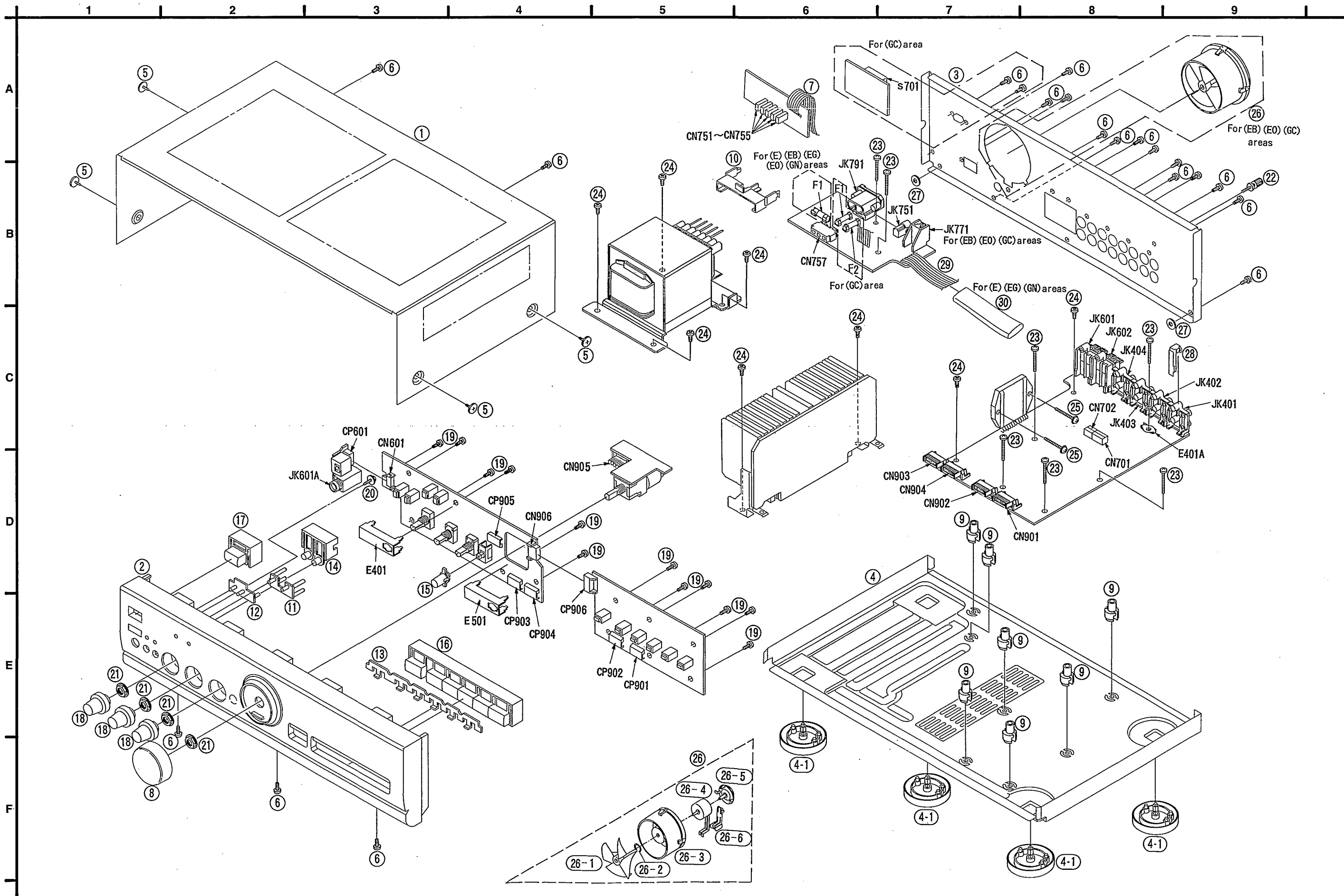
**Notes:** \*Important safety notice:  
 Components identified by Δ mark have special characteristics important for safety.  
 Furthermore, special parts which have purposes of fire-retardant (resistors), high-quality sound (capacitors), low-noise (resistors), etc. are used.  
 When replacing any of components, be sure to use only manufacturer's specified parts shown in the parts list.  
 \*The parenthesized indications in the Remarks column specify the areas. (Refer to the cover page for area.)  
 Parts without these indications can be used for all areas.  
 \*Remote Control Ass'y: Supply period for three years from termination of production.  
 \*The "(SF)" mark denotes the standard part.

Ref. No.	Part No.	Part Name & Description	Remarks	Ref. No.	Part No.	Part Name & Description	Remarks
		INTEGRATED CIRCUIT(S)					
IC401	NJU7312AL	I. C. INPUT SELECTOR		D756	MA4068L	DIODE	Δ
IC402	M5216AP	I. C. BUFFER AMP.		D771	MA165	DIODE	(EB) (EO) (GC)
IC451	AN6558-FSG	I. C. PHONO EQ AMP.		D772	MA4068M	DIODE	(EB) (EO) (GC) Δ
IC471	UPC4570C	I. C. TONE AMP.		D773	MA165	DIODE	(EB) (EO) (GC)
IC601	SV13102D	I. C. POWER AMP.	Δ	D801-806	MA165	DIODE	
IC801	M37470M2242S	I. C. MICRO COMPUTER		D807	1SS291TA	DIODE	
IC851	RA6218	I. C. MOTOR DRIVE		D808	MA165	DIODE	
		TRANSISTOR(S)		D809-813	LN018304P	L. E. D.	
Q505, 506	2SC3327-A	TRANSISTOR		D814	LN014304P	L. E. D.	
Q601, 602	2SC3311AIRTA	TRANSISTOR		D815	MA165	DIODE	
Q701	2SB1357DEFTA	TRANSISTOR	(EB) (EO) (GC) Δ	D816-819	LN018304P	L. E. D.	
Q702	2SD2037EFTA	TRANSISTOR	Δ	D820	MA165	DIODE	
Q751	2SC3312R	TRANSISTOR		D821	1SS291TA	DIODE	
Q771, 772	2SA1309A-R	TRANSISTOR	(EB) (EO) (GC)	D822-824	MA165	DIODE	
Q773	2SB621AQSTA	TRANSISTOR	(EB) (EO) (GC) Δ			VARIABLE RESISTOR(S)	
Q774, 775	2SA1309A-R	TRANSISTOR	(EB) (EO) (GC)	VR471	EVJYA1F04C15	V. R. BASS CONT.	
Q801	UN4211	TRANSISTOR		VR472	EVJYA1F04C15	V. R. TREBLE CONT.	
Q802	2SA1309A-R	TRANSISTOR		VR501	EUMMG2020B15	V. R. MAIN VOLUME	
Q803	UN4211	TRANSISTOR		VR502	EVJ02QF04G15	V. R. BALANCE CONT.	
Q804-809	UN4111	TRANSISTOR				COMPONENT COMBINATION(S)	
Q810	UN4211	TRANSISTOR		Z891	RCDKC-237	REMOTE SENSOR	
Q812	UN4211	TRANSISTOR				COIL(S)	
Q813, 814	UN4111	TRANSISTOR		L1	RLQZ271M	COIL	(E) (EB) (EG) (EO) (GN) Δ
Q815	2SA1309AIRTA	TRANSISTOR		L591, 592	ELESN101KA	COIL	
Q816	2SK330GRYTA	TRANSISTOR		L601, 602	RLQY73M	COIL	
		DIODE(S)		L801	ELEXT101KA9	COIL	
D601, 602	MA165	DIODE				TRANSFORMER(S)	
D604	MA4160M	DIODE		T1	RTP1V5E001-W	POWER TRANSFORMER	(E) (EG) (EO) Δ
D701-704	P30005002T	DIODE	Δ	T1	RTP1V5B001-W	POWER TRANSFORMER	(EB) (GN) Δ
D705	MA4150M	DIODE	Δ	T1	RTP2M5B005	POWER TRANSFORMER	(GC) Δ
D706	MA4075MTA	DIODE	Δ			OSCILLATOR(S)	
D707	1SR35200TB	DIODE	Δ	X801	EFOEC4004T4	OSCILLATOR (4MHz)	
D708	MA167	DIODE	Δ			FUSE(S)	
D710	MA4051MTA	DIODE	Δ	F1	XRA2C10T90	FUSE 250V T1.25A	(E) (EB) (EG) (EO) (GN) Δ
D712	MA4075MTA	DIODE	Δ				
D713	MA4150M	DIODE	(EB) (EO) (GC) Δ				
D751, 752	1SR35200TB	DIODE	Δ				
D753	MA4240H	DIODE					
D754	MA165	DIODE					

Ref. No.	Part No.	Part Name & Description	Remarks	Ref. No.	Part No.	Part Name & Description	Remarks
F1	XBA2C25TB0	FUSE 250V T2.5A	(GC) Δ	FC1, 2	EYF52BC	FUSE HOLDER	
F2	XBA2C10TB0	FUSE 250V T1.25A	(GC) Δ	FC3, 4	EYF52BC	FUSE HOLDER	(GC)
		SWITCH(ES)				RELAY(S)	
S401	ESB68047	SW, TONE		RL601, 602	RSY0013M-0	RELAY	Δ
S701	ESD26200A	SW, VOLTAGE SELECTOR	(GC) Δ	RL751	RSY0015M-0	RELAY	Δ
S801	EVQ21405R	SW, PHONO					
S802	EVQ21405R	SW, TUNER					
S803	EVQ21405R	SW, CD					
S804	EVQ21405R	SW, AUX					
S805	EVQ21405R	SW, TAPE2/DCC					
S806	EVQ21405R	SW, TAPE1 MONITOR					
S807	EVQ21405R	SW, POWER					
S808	EVQ21405R	SW, SPEAKER(A)					
S809	EVQ21405R	SW, SPEAKER(B)					
		JACK(S)					
JK401	SJF3069N	PHONO/TUNER					
JK402	SJF3069N	CD/AUX					
JK403	SJF3069N	TAPE2/DCC					
JK404	SJF3069N	TAPE1					
JK601A	RJJB3TS01	HEADPHONES JACK					
JK601	RJR0054M	SPEAKER(A)					
JK602	RJR0054M	SPEAKER(B)					
JK751	RJ33TR01	REMOTE OUT					
JK771	RJS1A7002-1	FAN CONNECTOR	(EB) (EO) (GC)				
JK791	SJS9236	AC INLET	(E) (EB) (EG) (EO) (GC) Δ				
JK791	SJS916	AC INLET	(GN) Δ				
		CONNECTOR(S)					
CN601	RJU057W007	SOCKET (7P)					
CN701	RJS1A6606	SOCKET (6P)					
CN702	RJS1A6603	SOCKET (3P)	(EB) (EO) (GC)				
CN751-755	RJS1A1101T1	SOCKET (1P)					
CN757	SJS305-1	SOCKET (3P)	(E) (EG) (EO)				
CN757	SJS702-1	SOCKET (6P)	(EB) (GC) (GN)				
CN901-905	RJU003K008M1	SOCKET (8P)					
CN906	SJS50782JQH	SOCKET (7P)					
CP601	RJT057W007-1	CONNECTOR (7P)					
CP901-905	RJT003K008-1	CONNECTOR (8P)					
CP906	SJT30745JQ	CONNECTOR (7P)					
		EARTH TERMINAL(S)					
E401A	SNE1004-2	EARTH TERMINAL					
E401	RSC0377	SHIELD PLATE					
E501	RSC0377	SHIELD PLATE					
		FUSE HOLDER(S)					



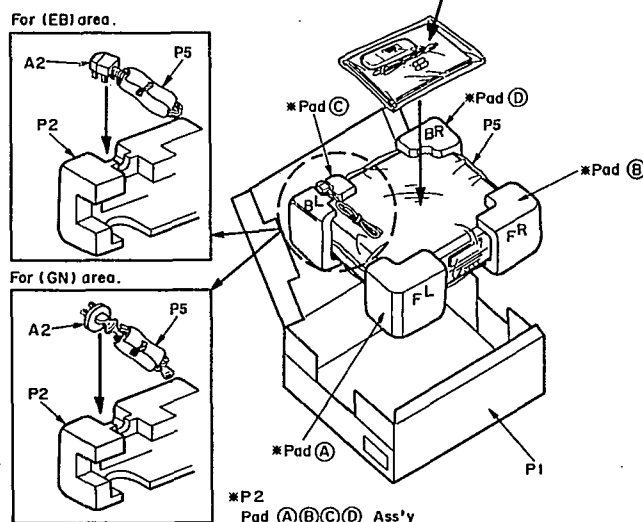
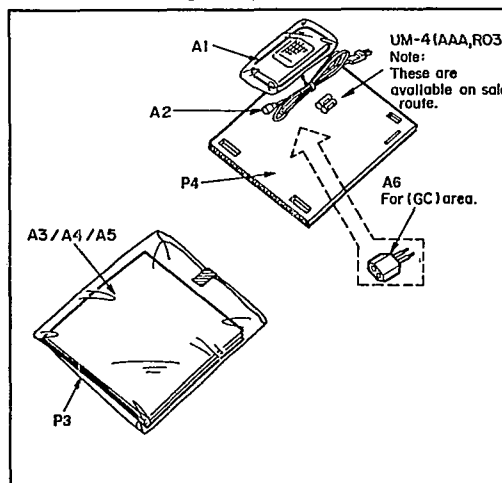
# Cabinet Parts Location



Ref. No.	Part No.	Part Name & Description	Remarks
		CABINET PARTS	
1	RKM0036E-K	TOP CABINET	(EB) (EO) (GC)
1	RKM0036D-K	TOP CABINET	(E) (EG) (GN)
2	RFKGV500E-K	FRONT PANEL ASS'Y	
3	RGR0189B-A1	REAR PANEL	(EB)
3	RGR0189A-A	REAR PANEL	(E) (EG)
3	RGR0189B-B	REAR PANEL	(ED)
3	RGR0189C-A	REAR PANEL	(GC)
3	RGR0189A-B1	REAR PANEL	(GN)
4	RFKJAGX170PK	BOTTOM CHASSIS ASS'Y	
4-1	RKA0053-A	FOOT	
5	RHD30035-K	SCREW	
6	XTBS3+8JFZ1	SCREW	
7	RFKEUV500EBK	FLAT CABLE (6P)	
8	RGW0201-K	MAIN VOLUME KNOB	
9	RKQ0089	SPACER	
10	RMN0191	HOLDER	
11	RGL0184A-Q1	LEADING LIGHT PANEL (A)	
12	RGL0185A-Q	LEADING LIGHT PANEL (B)	
13	RGL0229-Q	LEADING LIGHT PANEL (C)	
14	RGU0887A-K1	SPEAKER BUTTON	
15	RGU0889-K	TONE BUTTON	
16	RGU1038-K	INPUT SELECTOR BUTTON	
17	RGU1042-K	POWER BUTTON	
18	RGW0177A-K	TONE KNOB	
19	RHD26017	SCREW	
20	RHD26018	SCREW	
21	RHN90001	NUT	
22	SNE2123	GND SCREW	
23	XTB3+20JFZ	SCREW	
24	XTB3+8JFZ	SCREW	
25	XTW3+15T	SCREW	
26	REM0020	FAN ASS'Y	(EB) (EO) (GC)
26-1	SHE232-1	FAN	(EB) (EO) (GC)
26-2	SUS271	SPRING	(EB) (EO) (GC)
26-3	RMQ0209-K	FAN CASE	(EB) (EO) (GC)
26-4	MDN-4RB4MRC	MOTOR	(EB) (EO) (GC)
26-5	RMQ0208-K	FAN CAP	(EB) (EO) (GC)
26-6	RMQ0212-K	TERMINAL CAP	(EB) (EO) (GC)
27	RMG0332-K	RUBBER	
28	RSC0105-2	SHIELD PLATE	
29	RFKEUV500EAK	FLAT CABLE (6P)	(E) (EG) (GN)
29	RFKEUV500EOK	FLAT CABLE (9P)	(EB) (EO) (GC)
30	RFKEUV500ECK	PROTECT TUBE	(E) (EG) (GN)
		PACKING MATERIALS	
P1	RPG2022	PACKING CASE	(EB)
P1	RPG2021	PACKING CASE	(E) (EG) (EO) (GC) (GN)
P2	RPNO684-1	PAD	

Ref. No.	Part No.	Part Name & Description	Remarks
P3	XZB24X34C04	PROTECTION COVER	
P4	RPQ0164	PAD	
P5	RP10032	SHEET	(EB) (GN)
P6	XZB50X65A02Z	PROTECTION COVER	
		ACCESSORIES	
A1	RAK-SU129WH	REMOTE CONTROL TRANSMITTER	
A1-1	RKK0057-K	BATTERY COVER	
A2	VJA0733	AC POWER SUPPLY CORD	(EB) Δ (SF)
A2	RJA0019-2K	AC POWER SUPPLY CORD	(E) (EG) (EO) (GC) Δ (SF)
A2	RJA0036-K	AC POWER SUPPLY CORD	(GN) Δ
A3	RQA0013	WARRANTY CARD	(E) (EB) (EG) (EO)
A3	RQX7433ZA	WARRANTY CARD	(GN)
A4	RQCB0169	SERVICE CENTER LIST	
A5	RFKSUV500E-K	INSTRUCTIONS MANUAL	(E)
A5	RFKSUV500EBK	INSTRUCTIONS MANUAL	(EB) (GN)
A5	RFKSUV500EGK	INSTRUCTIONS MANUAL	(EG)
A5	RFKSUV500EOK	INSTRUCTIONS MANUAL	(EO)
A5	RFKSUV500GCK	INSTRUCTIONS MANUAL	(GC)
A6	SJP5213-2	POWER PLUG ADAPTOR	(GC) Δ

## ■ Packaging



956